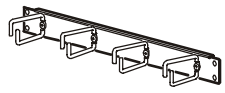
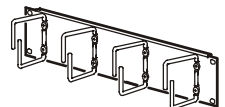
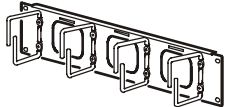


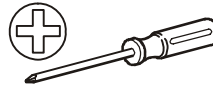
Horizontal Cable Organizer for NetShelter[®] SX or VX Enclosures

Product	SKU	Description	Figure
19-inch EIA 1-U horizontal cable organizer	AR8425A	Route cables horizontally on the front or back of the 19-inch EIA enclosure.	
19-inch EIA 2-U horizontal cable organizer	AR8426A	Route cables horizontally on the front or back of the 19-inch EIA enclosure.	
19-inch EIA 2-U horizontal cable organizer pass-through	AR8428	Route cables horizontally or front to back.	

Tools required

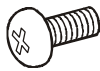


Cage nut tool (1)
(provided)



Phillips
screwdriver (1)
(not provided)

Hardware (provided)



M6 x 16
Phillips slot
screws (4)



Plastic cup
washers (4)



Cage nuts (4)

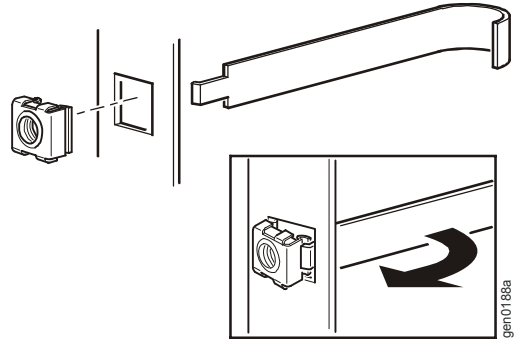
Installing cage nuts

Horizontal cable organizers must be attached to cage nuts, which are provided.



Caution: Install cage nuts horizontally, with the ears engaging the sides of the square hole. Do NOT install cage nuts vertically with the ears engaging the top and bottom of the square hole.

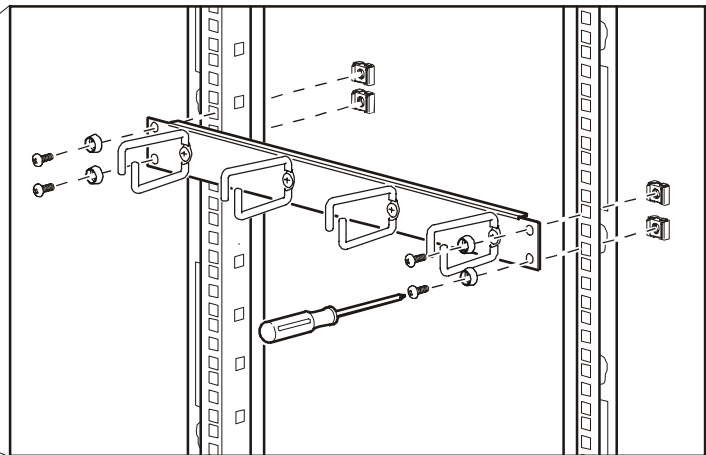
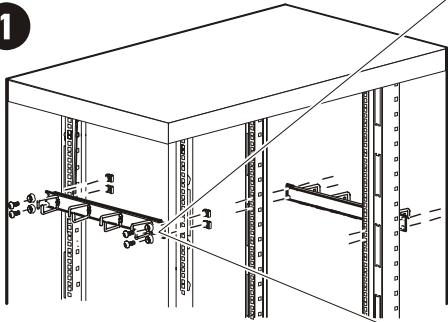
1. Insert the cage nut into the square hole by hooking one ear of the cage nut assembly through the far side of the hole.
2. Place the cage nut tool (provided) on the other side of the cage nut and pull to snap it into position.



Note: Install the cage nuts on the interior of the vertical mounting flanges.

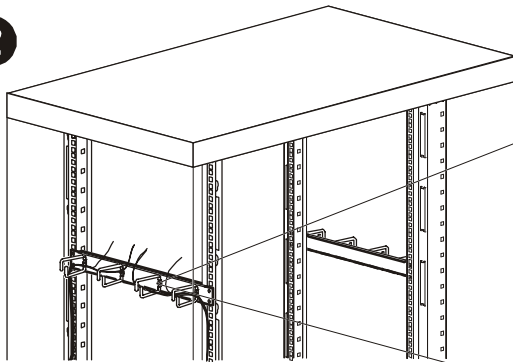
Installing the horizontal cable organizer

1

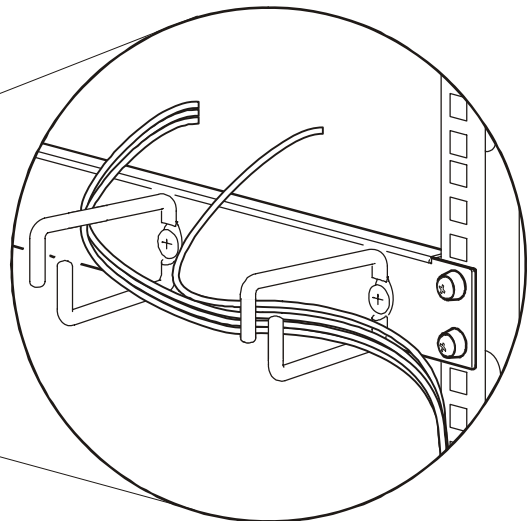


ns1132b

2



ns1133b



Customer support and warranty information is available at the APC Web site, www.apc.com.

© 2007 American Power Conversion. All rights reserved. All APC trademarks are property of American Power Conversion. Other trademarks are property of their respective owners.

990-3044A
04/2007

