

1 Read This First !

Congratulations....

On your choice of a Citizen label printer.

Please take a moment to read this Quick Start Guide which will familiarise yourself with the printer and its operation. The printer is a sophisticated but easy-to-use label printer featuring simple media loading and quick connection together with a menu configuration systems displayed on the LCD panel.

We will guide you through unpacking of the printer from its carton, connection to your computer system and installation of the media including a quick self-test of the printer to ensure it is working.

Safety

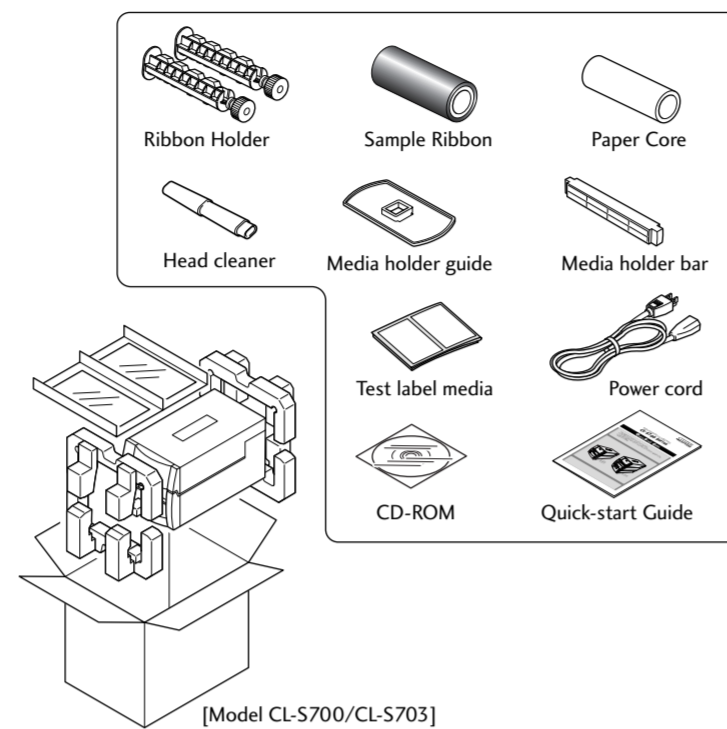
But if you have not done so already, please carefully read the safety instructions included at the beginning of this Quick Start Guide and in more detail on the user manual included on the CD-ROM. Failure to observe the safety precautions could cause serious injury or damage to both you and your property.

Unpacking Your Printer

- Carefully unpack your new printer and ensure all the items shown on the adjacent picture are present in your printer's carton. Remember that the printer itself weighs about 13.3 kg (29.3 lb.) so ensure you lift the printer out of the box carefully with the assistance of another person.
- In some cases, your supplier or Citizen may have added extra items required for your particular installation such as additional CD-ROM, cable or manuals. Instructions for each of these items will be included within the individual packages.
- If you have any questions, or if you find any of the items are missing, please initially refer back to your supplier. Otherwise, contact details for Citizen's regional offices are shown on the back page of this Quick Start Guide.
- The printer is shipped with adhesive tape in place to hold the top cover closed. Simple remove the tape and open the case by lifting the top cover upwards and back.
- There is another strip of adhesive tape that must be removed which holds the mechanism closed for shipping. Remove the tape and attached paper by carefully peeling from the case. A further piece of packing paper is inside the mechanism. You can remove this when the head is opened for the first time (as shown in section 3b).

Basic Carton Contents

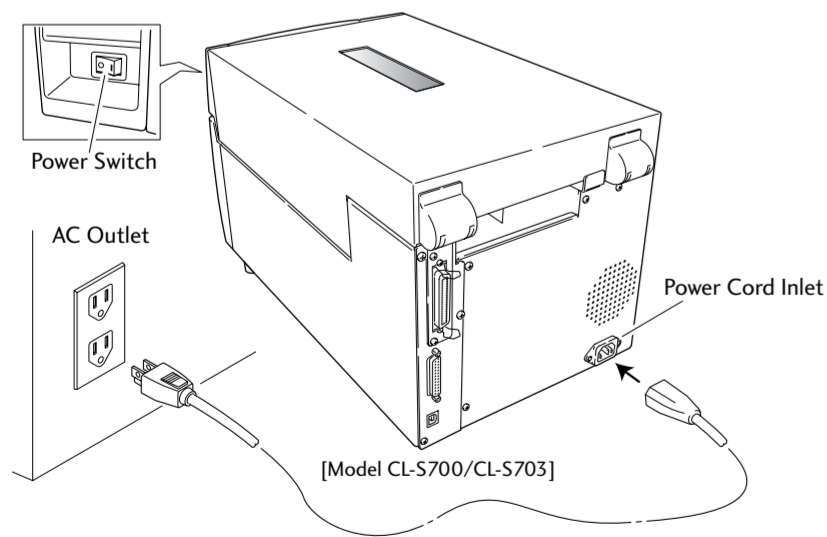
The following items are only present in the carton:



2 Connection

Connection to Power

- Check that the power switch to the printer is turned OFF.
- Connect the connector of the power cord to the power cord inlet on the printer.
- Insert the plug of the power cord in the AC outlet.
- The power switch is located in the recess below the control panel on the front of the printer, so that it is easy to access when the printer is installed.



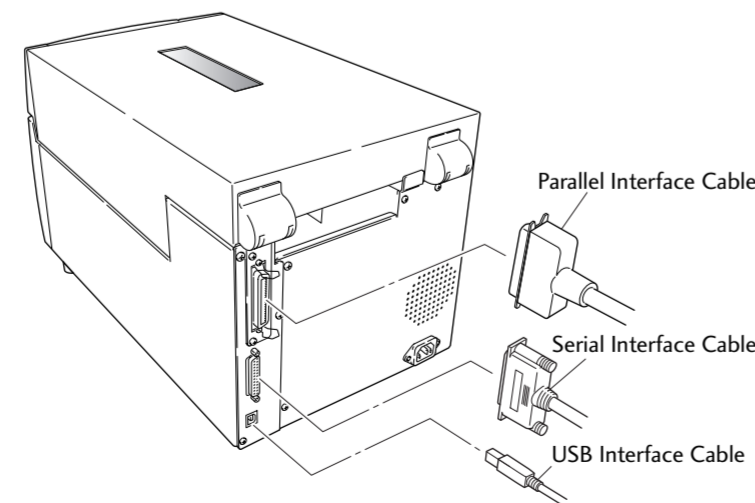
Caution Use an AC outlet that accepts a three-pronged plug. Otherwise, static electricity may be generated and there will be danger of electric shock.

Connection to a Computer

This product has three interfaces that can be used to receive printing data: a serial port (RS232C), parallel port (IEEE1284), and a USB port (USB1.1). An optional internal Ethernet (LAN) or Wireless LAN port can be added by your dealer. If the optional Ethernet or wireless LAN port is used, the standard parallel and USB ports are removed from the printer, so the parallel interface cannot be used.

With the exception of a wireless LAN connection, an interface cable is necessary to connect the printer to a computer. To connect the cable, proceed as follows:

- Turn OFF the power switches of both the printer and the computer.
- Connect one end of the interface cable to the interface connector on the back of the printer and secure it with locks or locking screws, where available.
- Connect the other end of the interface cable to the interface connector on the computer and secure it with locks or locking screws, where available.



* For Further Information . . .

For further information and more detailed instructions on the use of your new printer, please refer to the complete user manual included on the CD-ROM accompanying your printer. Alternatively, you can download the user manual and additional data from Citizen's websites shown below.

The local Citizen Systems office can be contacted as follows:

For North and South America:
CITIZEN SYSTEMS AMERICA CORPORATION
363 Van Ness Way, Suite 404
Torrance, CA 90501. USA
Tel: (310) 781-1460
Fax: (310) 781-9152
<http://www.citizen-systems.com>

For Europe, Middle East and Africa
CITIZEN SYSTEMS EUROPE GmbH
Mettinger Strasse 11 Park House, 643-651 Staines Road
D-73728, Esslingen Feltham, Middlesex, TW14 8PA
Germany United Kingdom
Tel: +49 (0) 711 3906 420 Tel: +44 (0) 20 8893 1900
Fax: +49 (0) 711 3906 405 Fax: +44 (0) 20 8893 0080
<http://www.citizen-europe.com>

For Asia, including China and Japan:
CITIZEN SYSTEMS JAPAN CO., LTD.
6-1-12, Tanashi-cho, Nishi-Tokyo-shi
Tokyo, 188-8511. Japan
Tel: +81 (0) 42 468 4608
Fax: +81 (0) 42 468 4997
<http://www.citizen-systems.co.jp>

CITIZEN is a registered trade mark of CITIZEN HOLDINGS CO., Japan.
CITIZEN es una marca registrada de CITIZEN HOLDINGS CO., Japón.

Copyright © 2008 by CITIZEN SYSTEMS JAPAN CO., LTD.

Safety Instructions - which must be strictly observed

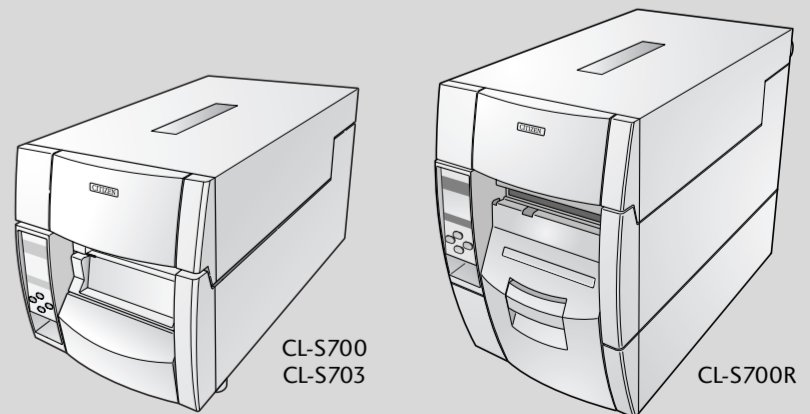
25. We are not liable for any problems resulting from the use of optional products and consumable supplies other than the designated products contained herein.
 26. We are not liable for any damage caused by user's erroneous use of the printer and inadequate environment.
 27. Data residing in the printer is temporary. Therefore, all data will be lost if power is lost. We are not liable for any damage or loss of ports caused by data loss due to failures, repairs, inspections, etc.
 28. Please contact us if there are any mistakes or ambiguities within this manual.
 29. If there are missing or incorrectly collated pages in this manual, contact us to obtain a new manual.
 30. Trademarks or registered trademarks of other companies and products are included in this manual. Citizen acknowledges all trademarks.
 31. Do not place this product on an unstable cart, stand or table. This product should not be placed in a built-in installation unless proper ventilation is provided.
 32. Do not use this product near water or where a chemical reaction can occur such as in a laboratory or where there is a lot of oil, kerosene or similar chemicals. Instead use a damp cloth for cleaning, when the printer is disconnected from the main supply.
 33. Lumping this product from the wall outlet before cleaning. Do not use liquid or aerosol cleaners, thinner, trichloroethylene, benzene, etc.
 34. Follow all warnings and instructions made on the product.
 35. Read all of these instructions and save them for later reference.
 36. These precautions can result in personal injury or property damage on, in extreme situation, serious injury or death.
 37. For the safe operation of your printer, please read the following important operation and safety instructions carefully. Failure to observe these instructions may result in personal injury or property damage.
 38. Do not open the printer during printing.
 39. Do not use such sharp-edged tools as ballpoint pen or operation.
 40. If a problem occurs during printing, stop the printer immediately and unplug the power cord from the outlet.
 41. The contents of this manual may be changed without prior notice.
 42. Reproduction, transfer or transmission of the contents of this manual without prior consent is strictly prohibited.
 43. We are not liable for any damage resulting from the use of the information contained herein, regardless of errors, omissions, or misprints.
- Compliance Statement for European Users**
CE marking shows conformity to the following criteria and provisions:
This equipment has been tested and found to comply with the limits for a Class A digital device, pursuant to Part 15 of the FCC Rules. These limits are designed to provide reasonable protection against harmful interference when the equipment is operated in a commercial environment. This equipment generates, uses, and can radiate radio frequency energy and, if not installed and used in accordance with the instruction manual, may cause harmful interference to radio communications. Operation of this equipment in a residential area is likely to cause harmful interference in which case the user will be required to correct the interference at his own expense.
- FCC Compliance Statement for American Users**
This equipment generates and uses radio frequency energy and if not installed and used properly, that is, in strict accordance with the manufacturer's instructions, may cause interference to radio and television reception. This digital apparatus does not exceed the Class A limits for radio noise emissions from digital apparatus set out in the Radio Interference Regulations of the Canadian Department of Communications. This equipment is designed to provide reasonable protection against such interference in a residential installation. However, there is no guarantee that interference will not occur in a particular installation. If this equipment does cause interference to radio or television reception, which can be determined by turning the equipment off and on, the user is encouraged to try to correct the interference by one or more of the following measures:
- Reorient or relocate the receiving antenna.
- Increase the separation between the equipment and receiver.
- Connect the equipment into an outlet on a circuit different from that to which the receiver is connected.
- Consult the dealer or an experienced radio/TV technician for help.
- CAUTION:** Use shielded cables to connect this device to computers. Any changes or modifications not expressly approved by the grantee of this device could void this user's authority to operate the equipment.
- Etat de Conformité EMI à l'usage des Utilisateurs Canadiens**
Cet équipement produit et utilise l'énergie à radiofréquences et s'il n'est pas installé et utilisé correctement, cet état en accord strict avec les instructions du fabricant, il risque de provoquer des interférences avec la réception de la radio et de la télévision. Le présent appareil numérique n'émet pas de bruits radioélectriques dépassant les limites applicables aux appareils numériques de la classe A prescrites dans le Règlement sur le bruitage radioélectrique édicté par le ministre des Communications du Canada. Cet équipement est conçu pour fournir une protection satisfaisante contre de telles interférences dans une installation résidentielle. Cependant, il n'y a pas de garantie contre de telles interférences avec les récepteurs radio ou télévision, provoquées par la mise en et hors circuit de l'équipement, aussi, il est demandé à l'utilisateur d'essayer de corriger l'interférence par l'une ou plus des mesures suivantes:
- Reorienter l'antenne de réception.
- Installer l'ordinateur autre part, par exemple, à ce que l'ordinateur et le récepteur soient branchés sur des circuits différents.



Thermal Transfer Barcode & Label Printer CL-S700 Series

QUICK-START GUIDE

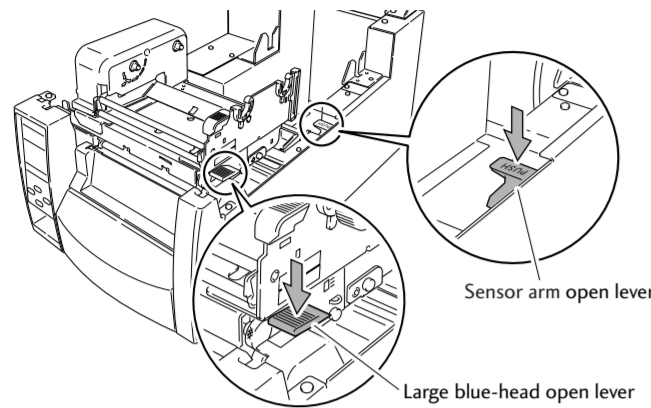
This Quick-Start Guide covers basic operation.
For detailed operating instructions, please see the User's Manual on the supplied CD-ROM.



3 Media Installation

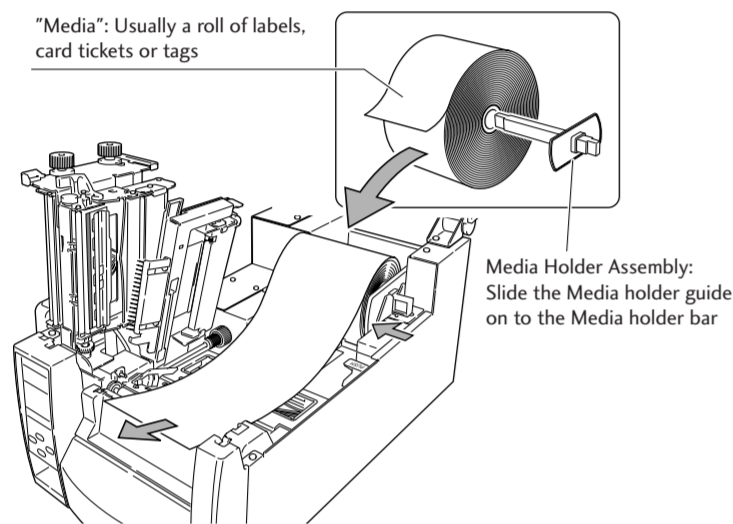
Installing the Media

- Media installation is very straightforward and easy. Firstly, open the printer cover to view the printer's mechanism and media holder.
- Push down the Head open lever to release the printhead. Then push down the Sensor arm open lever to lift the Media guide up.

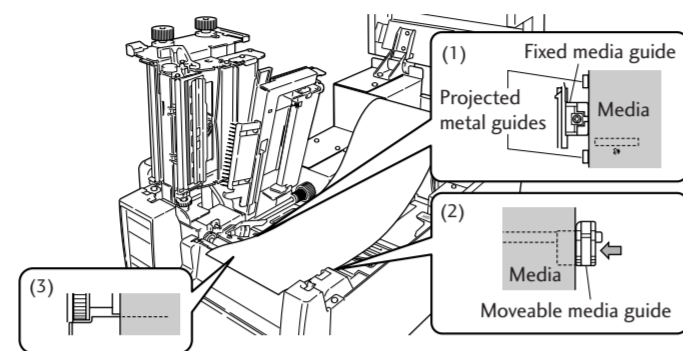


- Insert the "Media holder assembly" into the core of roll of media. Put this on the media holder and push it to the left side wall and secure roll of media.

"Media": Usually a roll of labels, card tickets or tags

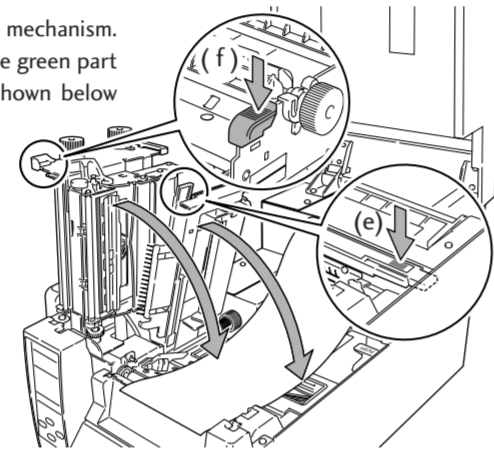


- Push media against the fixed media guide on the left side.
- The moveable media guide should be adjusted so it touches and guides the media. It must not bend or restrict the media from passing through the printer.
- The media should run through the printer straight so the left edge is aligned with the projected metal guides and the fixed media guide.



- Holding media so as to ensure it cannot move or skew, push down the Media Guide to close it.

- Close the main printer mechanism. Firmly push down on the green part of the mechanism as shown below until it clicks closed. Make sure you hear the "click" from the mechanism otherwise it is not closed.

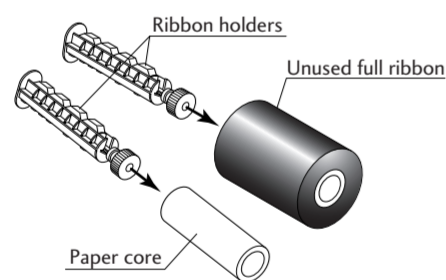


- Close the printer cover and turn ON the power switch of the printer. The LCD screen on the control panel will show 'On Line Ready.' Then press the FEED key and media will advance to the next label position and stop.

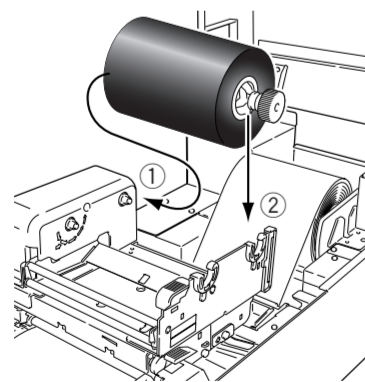
4 Ribbon Installation

Thermal Transfer Ribbon Installation

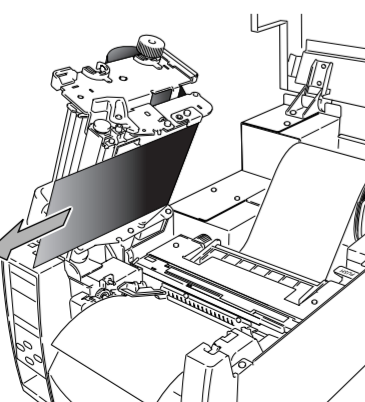
- Place the unused ribbon and the empty paper core (tube) on to the ribbon holders. Insert the ribbon holders all the way in to the ribbon and paper core.



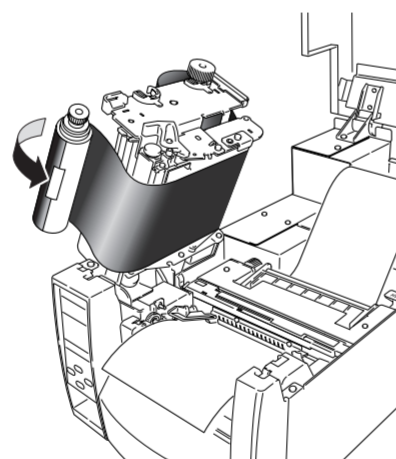
- Install the unused ribbon and holder in to the rear ribbon drive unit. The splines on the ribbon drive gear mechanism engage with the end of the ribbon holder.



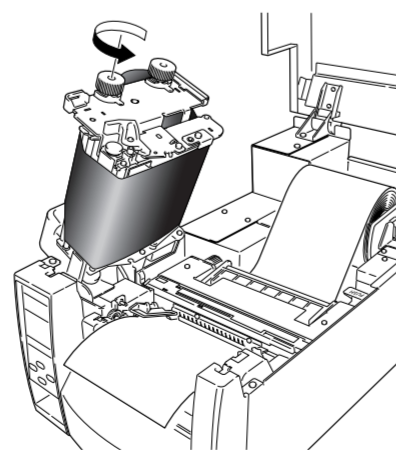
- Open the top cover and then push the Head open lever to release the mechanism. You should not open the media guide bar as this keeps the media in place.



- Using adhesive tape fix the ribbon that you have pulled through the printer on to the paper tube. Wind (roll) it on the ribbon holder in an "anticlockwise" direction.



- Put the ribbon holder on which the paper tube has been set in the ribbon drive unit, then rotate it in the direction shown by the arrow to remove slack and wrinkles from the ribbon.



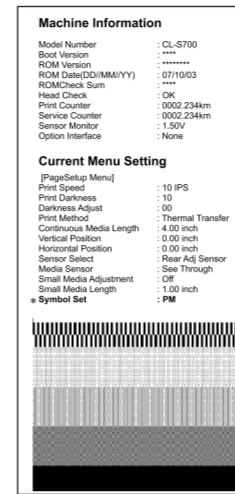
- Close the main printer mechanism. Firmly push down on the green part of the mechanism as (as shown in section 3f) until it clicks closed. Make sure you hear the "click" from the mechanism otherwise it is not closed.

- If the ribbon is wrinkled, push the FEED key until the wrinkles disappear. In the unlikely event the wrinkles do not disappear you may need to adjust the ribbon tension settings as described in the full user manual on the CD supplied. This will only usually be needed for specialist or very narrow ribbons.

5 Printer Configuration

Configuration Print

Performing a self test print is an easy way to check on the configuration of the printer. Install the media as explained elsewhere and then operate the printer as follows.



- For label media**
Turn on printer power while pushing the FEED key. When the LCD indicates "Self Print Mode" and "Label Media", release the FEED key.

- For continuous media**
Turn on printer power while pushing the FEED key. When the LCD indicates "Self Print Mode" and "Label Media", and then changed to "Self Print Mode" and "Cont. Media", release the FEED key.

The printer will produce the configuration report shown. To restart printing, press the FEED key again. To exit, switch off the printer.

Changing the Configuration

If the MENU key is pressed while the printer is in the On Line Ready state, the printer enters menu setup mode. In this mode, the printer's configuration can be changed using the operation panel. During menu setting mode, the LCD indicates the current menu settings and the key function.

- Functions of the keys**
In the menu setup mode, the four keys become "cursor keys" to navigate the menu. Refer to the four small arrows in the centre of the keypad rather than the names of the keys.

The ▲ key (feed key) goes up the menu system or selects a higher value
The ▼ key (Menu key) goes down the menu system or selects a lower value
The ► key (Stop key) selects or saves the item or enters a menu
The ◀ key (Pause key) exits the current item (goes back) and eventually exits the menu system

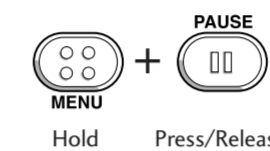
The menu settings are stored temporarily in the printer's memory. They are only permanently stored in the printer setup when you exit the menu system and say "Yes" to the "Save Settings" question.

Quick selection between DT and TT

The print method (thermal transfer method/direct thermal method) can be set using operation panel in addition to menu setting mode.

Caution:
Ensure the printer is not printing or in pause mode. You cannot change between print methods unless the printer is in 'On Line Ready' mode.

Setting method
Keep the MENU key held down. Each time the PAUSE key is pushed, the printer switches between thermal transfer mode and direct thermal mode.



- If thermal transfer is selected, the buzzer sounds once and the LCD briefly displays "Print Method, TT" before returning on-line.
- If direct thermal is selected, the buzzer sounds twice and the LCD briefly displays "Print Method, DT" before returning on-line.

Note:
If you just press the MENU button on its own and do not press PAUSE, you will enter the full Menu Setup Mode.

6 Using narrow width or thick media

Using the Configuration / Self Test Print as described above, you can make adjustments to the printer settings such as media width and media thickness (printhead pressure).

Width Adjustments

The sample, top right, shows an incorrectly set "media width adjustment". The printed image disappears on the right side of the image.



To change the media width setting, rotate the small adjustment knob on the right side of the printhead, as shown in the diagram. The indicator window (which may be obscured by the ribbon) shows an approximation of the setting. The small arrow indicates "full" width of just over 4 inches, 100mm.

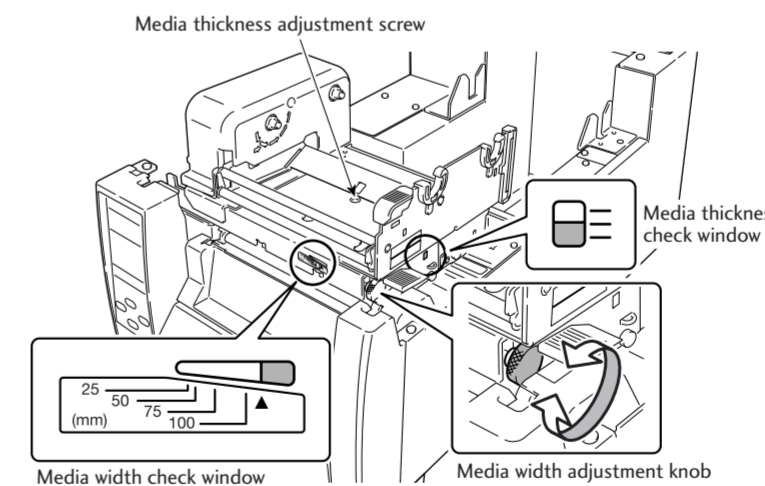
Thickness Adjustments

The second sample, right, shows an incorrectly set "media thickness adjustment". The printed image appears light, grey or speckled. This can also be caused by incorrect heat setting.

To adjust the media thickness, use a cross-point screwdriver inserted in to the "thickness adjustment" hole on the top of the mechanism (which may be obscured by the ribbon).

Turning the screw clockwise cause the indicator to drop. This is for thicker media such as card and tags. Turning anti-clockwise the adjustment indicator raises which is for thinner media like thermal paper rolls.

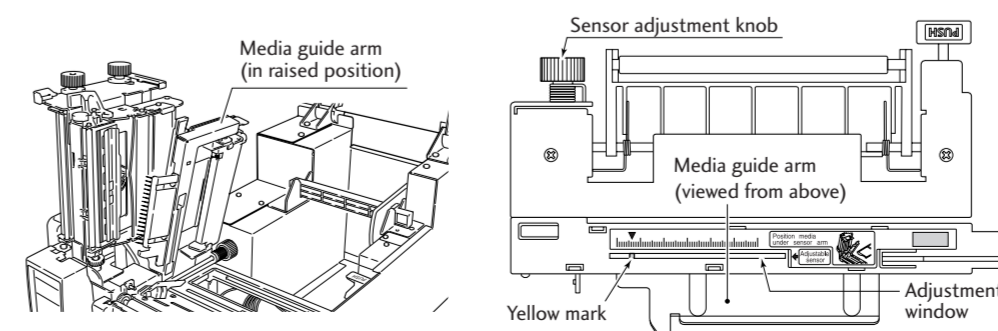
The centre line is the factory setting and is suitable for normal labels.



7 Unusually Shaped Media Adjustment

For non-standard media sizes and shapes, you may need to adjust the media sensors. The adjustable sensor is standard fitment.

- Measure your required detection position beforehand, using the scale on the upper guide rail.
- Load media in to the printer as described elsewhere. Ensure the media guide arm is lowered and clicked down, but leave the printhead mechanism open.
- By rotating the adjustment knob, move the adjustable sensor to the required position. The yellow mark visible through the adjustment window should be used to align the sensor with the required position across the media.



8 Windows® Drivers

Printer Driver Installation

If the drivers are not included with the printer, you can download the latest version free-of-charge from our web site, details of which are on the back of this Quick Start Guide.

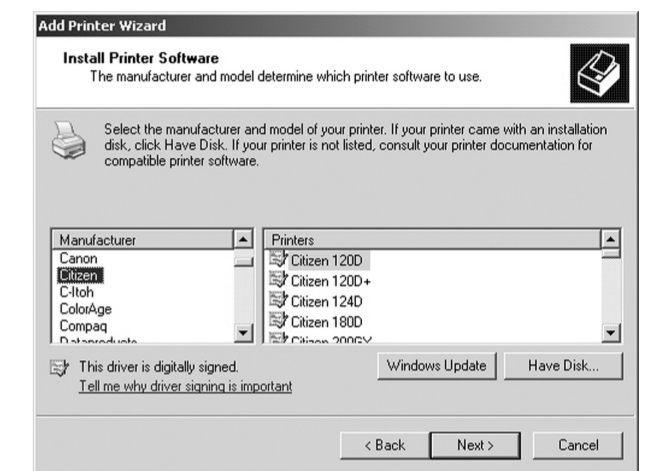
Under the latest versions of Windows®, the computer will often automatically detect the presence of the printer. Therefore it is advisable to download the drivers from our web site before installing the printer so the files are ready for installation.

During installation of the printer driver, the computer may ask you to select the printer required.

You will need to click on the "Have Disk..." box then tell the computer the location of the driver files on your CD ROM. You will usually need to look for the "Citizen.inf" file.

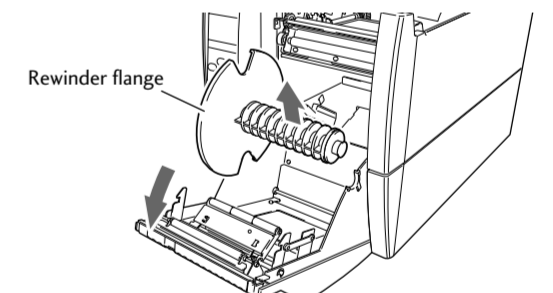
Your supplier will assist you with the correct drivers and software which are compatible with your particular computer system if you are not using Windows®.

Windows® is a trademark of Microsoft® Corporation.



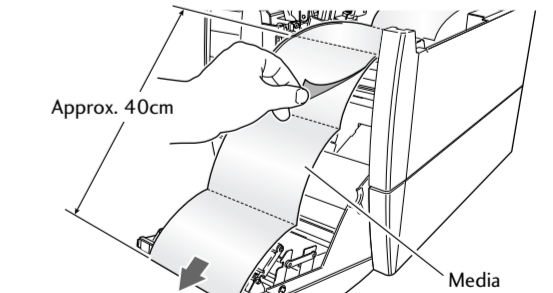
9 Peel & Rewind Mode (CL-S700R only)

- Open the rewinder cover and remove the rewinder flange.

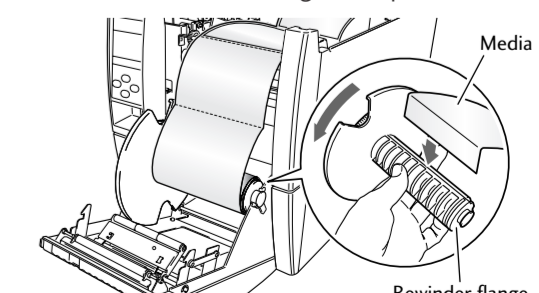


- Pull out approximately 40cm length of the media from the head unit.

- Peel off a number of labels at the tip part of the media from the liner so that the liner unit is in contact with the peeler roller when closing the front door.



- Wind the tip of the roller two or three times around the rewinder flange frame and set the rewinder flange in the printer.



- Close the rewinder cover door by pushing the top of the door quite firmly until it clicks closed.