

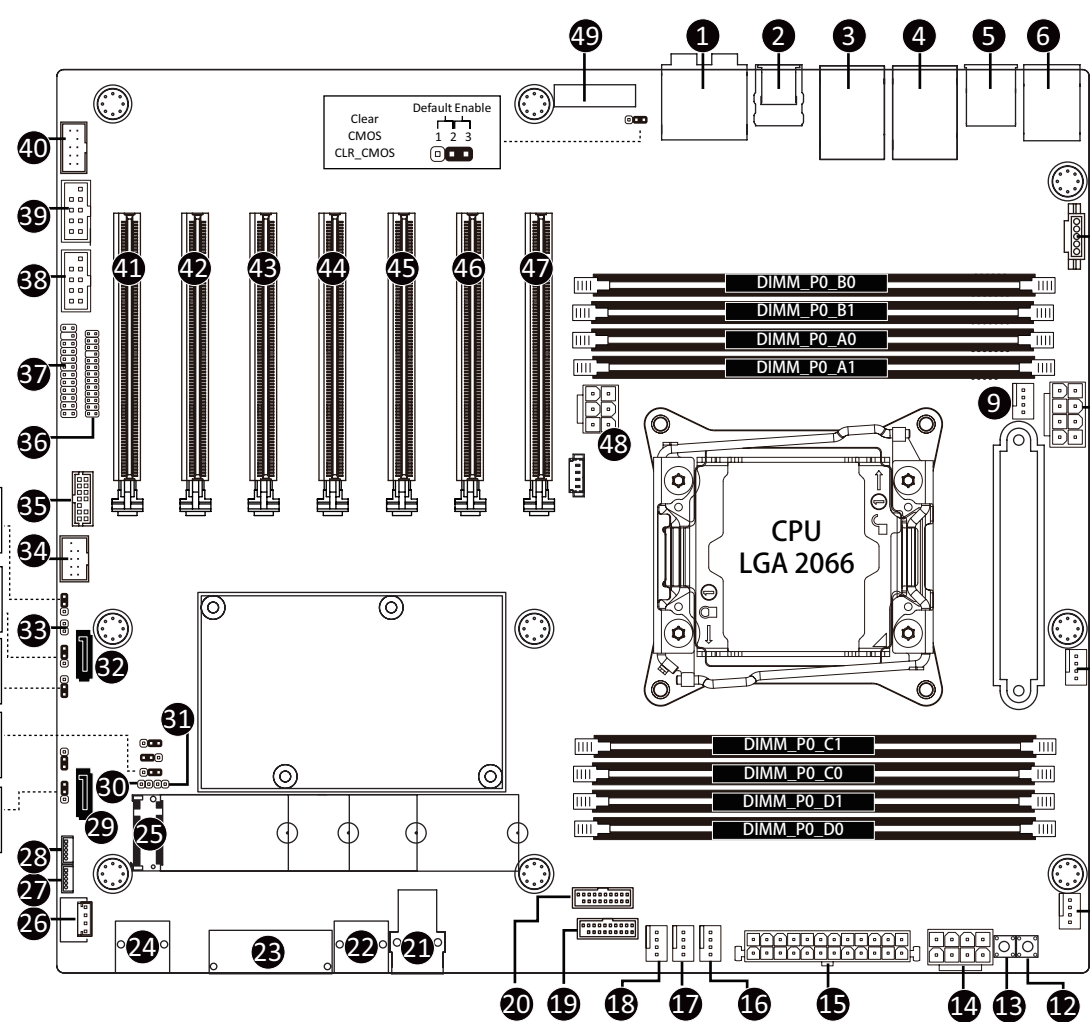
W281-G40 Quick Installation Guide

Pre-installation Cautions



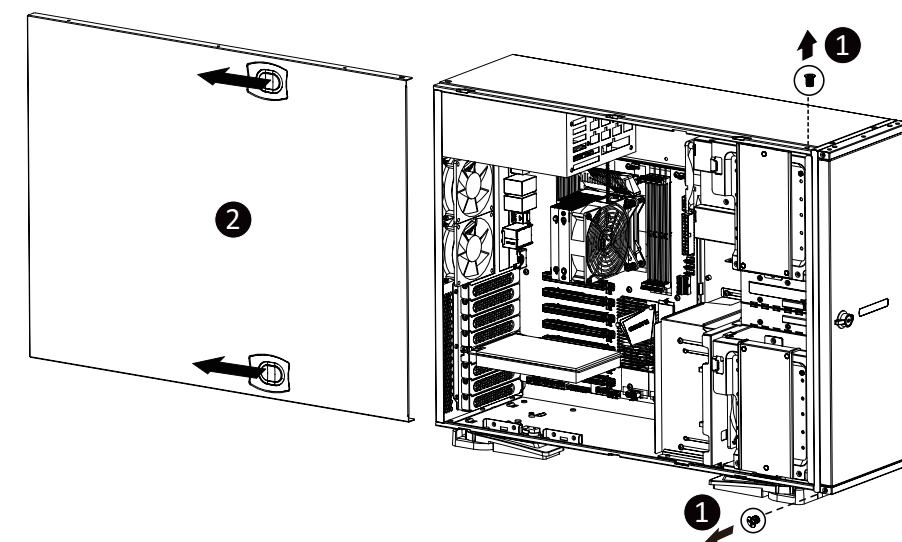
- Make sure the system is not turned on or connected to AC power.
- Always handle boards carefully. They can be extremely sensitive to electrostatic discharge (ESD). Hold boards only by their edges. After removing a board from its protective wrapper or from the system, place the board component side up on a grounded, static free surface. Use a conductive foam pad if available but not the board wrapper. Do not slide board over any surface.
- Risk of explosion if battery is replaced incorrectly or with an incorrect type. Replace the battery only with the same or equivalent type recommended by the manufacturer. Dispose of used batteries according to the manufacturer's instructions.

Motherboard Components

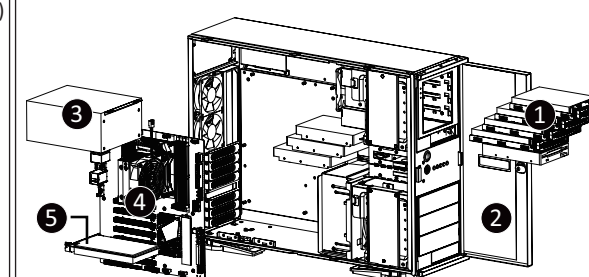


- | No. | Description |
|-----|--|
| 1 | Audio connectors |
| 2 | USB 3.1 Type-C connector (bottom) |
| 3 | USB 3.1 Type-A connector (top) |
| 4 | GbE LAN port #1 (top) |
| 5 | USB 3.0 ports (bottom) |
| 6 | GbE LAN port #2 (top) |
| 7 | USB 3.0 ports (bottom) |
| 8 | USB 3.0 ports |
| 9 | PS/2 Keyboard mouse connector (top) |
| 10 | USB3.0 ports (bottom) |
| 11 | PPMBus connector |
| 12 | 2x4 Pin 12V power connector (For CPU & DDR 12V input) |
| 13 | System fan connector#1 |
| 14 | CPU fan connector |
| 15 | System fan connector#2 |
| 16 | Reset button |
| 17 | Power button |
| 18 | 2x4 Pin 12V power connector (For CPU & DDR 12V input) |
| 19 | 2x12 pin main power connector |
| 20 | System fan connector#3 |
| 21 | System fan connector#4 |
| 22 | System fan connector#5 |
| 23 | Front USB 3.0 header |
| 24 | Front USB 3.0 header |
| 25 | Mini-SAS HD connector (PCIe 8Gb/s signal) |
| 26 | SATA 6Gb/s connectors |
| 27 | SATA 6Gb/s connectors |
| 28 | M.2 slot (PCIe Gen3 x4, Support NGFF-2210, M-Key) |
| 29 | SATA RAID upgrade key |
| 30 | SATA SGPIO connector #1 |
| 31 | SATA SGPIO connector #2 |
| 32 | SATA 6Gb/s connector #0 (SATA DOM Support) |
| 33 | Connects the thermistor cable for internal temperature detection |
| 34 | Connects the thermistor cable for internal temperature detection |
| 35 | SATA 6Gb/s connector #1 (SATA DOM Support) |
| 36 | Case open intrusion alert header |
| 37 | Front USB 2.0 header |
| 38 | TPM connector |
| 39 | HDD back plane board header |
| 40 | Front panel header |
| 41 | Serial port cable connector #1 |
| 42 | Serial port cable connector #2 |
| 43 | Front audio header |
| 44 | PCIe x16 slot #1 |
| 45 | PCIe x8 slot #2 (PCIe x8 signal) |
| 46 | PCIe x16 slot #3 |
| 47 | PCIe x8 slot #4 (PCIe x8 signal) |
| 48 | PCIe x16 slot #5 |
| 49 | PCIe x8 slot #6 (PCIe x8 signal) |
| 50 | PCIe x16 slot #7 |
| 51 | 2x3 Pin 12V power connector (For PCIe slot 12V input) |
| 52 | Battery socket |

System Cover

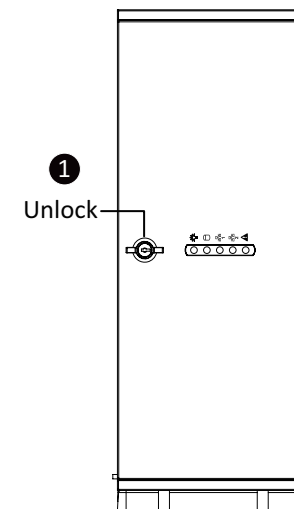


System Components

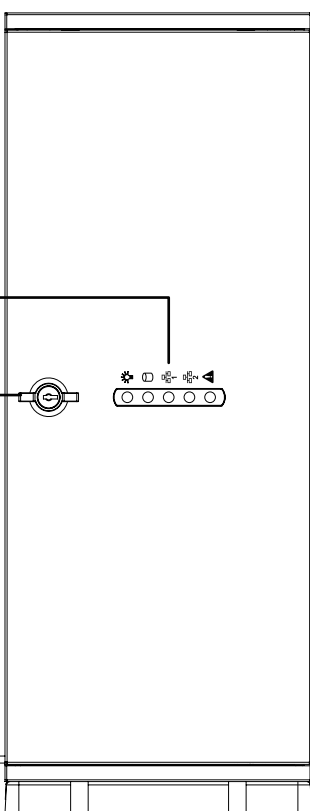


- | No. | Description |
|-----|---------------------|
| 1 | Hard Disk Drives |
| 2 | Front bezel door |
| 3 | Power supply module |
| 4 | Motherboard |
| 5 | PCIe card bay |

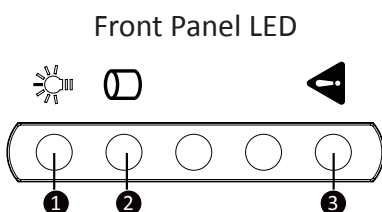
Front Bezel Door



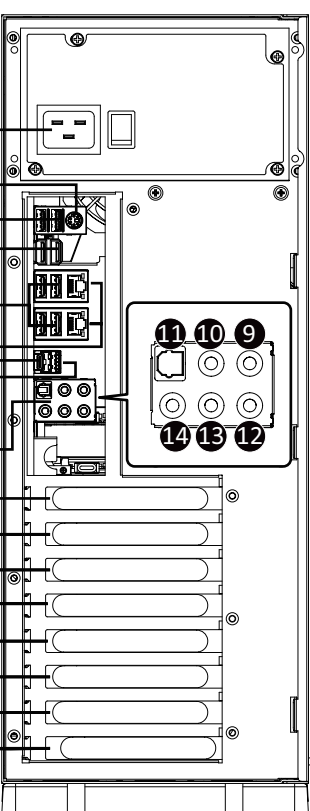
System Appearance



- | No. | Description |
|-----|-----------------------|
| 1 | Front Bezel Door Lock |
| 2 | Front Panel LEDs |
| 3 | Power Button |



- | No. | Description |
|-----|-----------------------------|
| 1 | System Status LED |
| 2 | System Power Status LED |
| 3 | LAN1 Activity and Speed LED |
| 4 | LAN2 Activity and Speed LED |
| 5 | System Status LED |

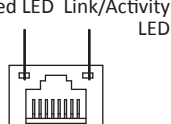


- | No. | Description |
|-----|--|
| 1 | Power supply module cord socket |
| 2 | PS/2 Keyboard/Mouse connector |
| 3 | USB3.0 Ports |
| 4 | GbE LAN ports |
| 5 | 10/100/1000 Server management LAN port |
| 6 | USB 3.1 Type-A Port |
| 7 | USB 3.1 Type-C Port |
| 8 | Audio Connectors |
| 9 | Center/Subwoofer Speaker Out |
| 10 | Rear Speaker Out |
| 11 | Optical S/PDIF Out Connector |
| 12 | Line In |
| 13 | Line Out |
| 14 | Mic In |
| 15 | PCIe Card Bay |

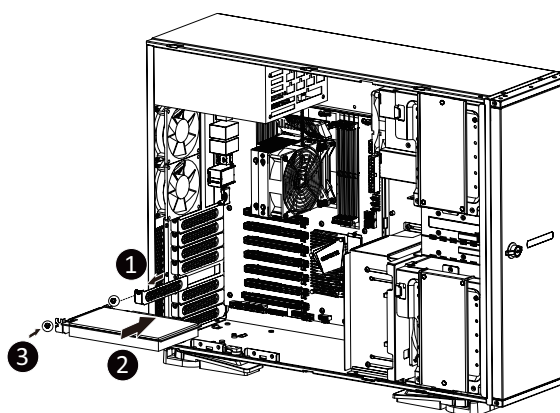
10/100/1000 LAN LED:

State	Description
Yellow On	1Gbps data rate
Green On	100Mbps data rate
Off	10Mbps data rate

Speed LED Link/Activity LED

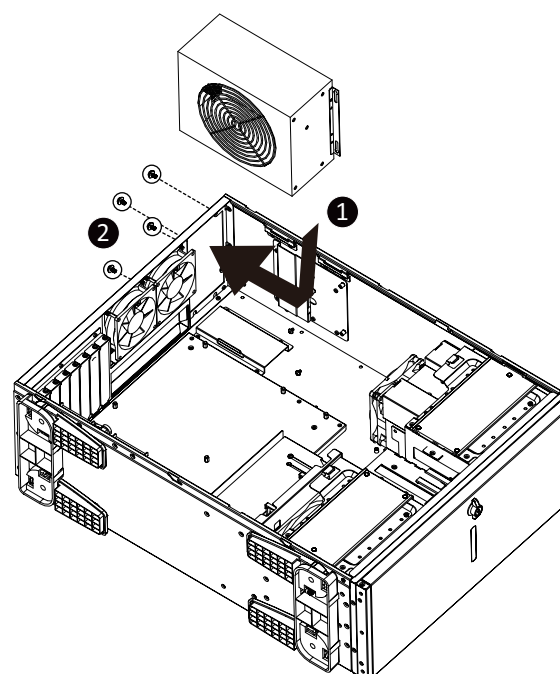


PCI Express Card

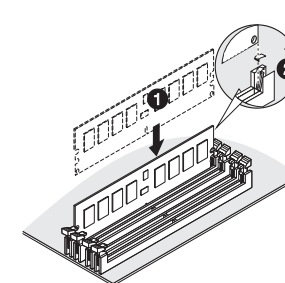


- Connect the power cable for PCIe Express Card.

Power Supply



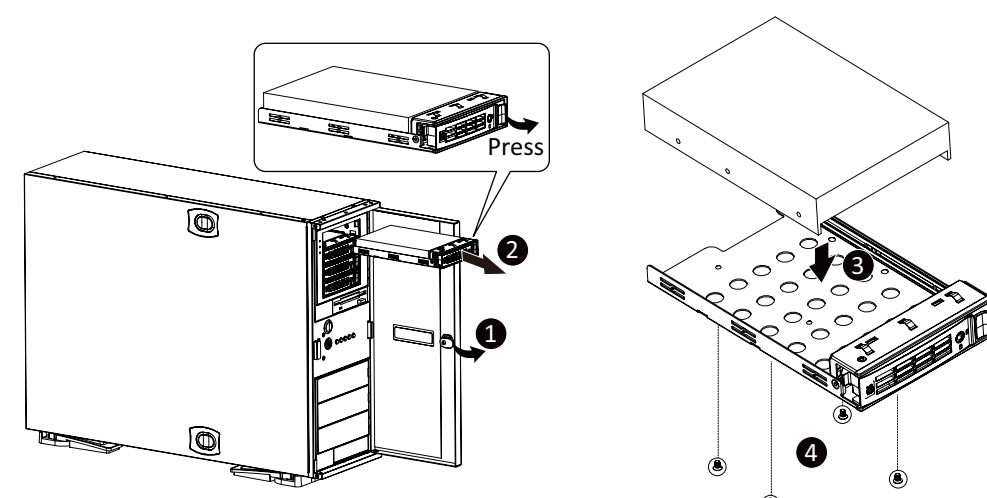
Memory Population Configuration/ 安装内存



Type	Ranks Per DIMM and Data Width	DIMM Capacity (GB)		Speed (MT/s); Voltage (V) Slot Per Channel (SPC) DIMM Per Channel (DPC)		
				1 Slot per Channel		2 Slot per Channel
		DIMM Density		1DPC	1DPC	2DPC
RDIMM	SRx4	8GB	16GB	1.2V	1.2V	1.2V
RDIMM	SRx8	4GB	8GB			
RDIMM	DRx8	8GB	16GB	2666	2666	2666
RDIMM	DRx4	16GB	32GB			
LRDIMM	QRx4	32GB	64GB			

- NOTE!
- DIMM must be populated in sequential alphabetic order, starting with bank A.
 - When only one DIMM is used, it must be populated in memory slot A0.

Hard Disk Drive



Regulatory Notices

WEEE Symbol Statement



The symbol shown below is on the product or on its packaging, which indicates that this product must not be disposed of with other waste. Instead, the device should be taken to the waste collection centers for activation of the treatment, collection, recycling and disposal procedure. The separate collection and recycling of your waste equipment at the time of disposal will help to conserve natural resources and ensure that it is recycled in a manner that protects human health and the environment. For more information about where you can drop off your waste equipment for recycling, please contact your local government office, your household waste disposal service or where you purchased the product for details of environmentally safe recycling.

- When your electrical or electronic equipment is no longer useful to you, "take it back" to your local or regional waste collection administration for recycling.
- If you need further assistance in recycling, reusing in your "end of life" product, you may contact us at the Customer Care number listed in your product's user's manual and we will be glad to help you with your effort.

Restriction of Hazardous Substances (RoHS) Directive Statement

GIGABYTE products have not intended to add and safe from hazardous substances (Cd, Pb, Hg, Cr+6, PBDE and PBB). The parts and components have been carefully selected to meet RoHS requirement. Moreover, we at GIGABYTE are continuing our efforts to develop products that do not use internationally banned toxic chemicals.

限制使用有害物质 (RoHS) 指令声明

GIGABYTE产品未故意添加和使用有害物质 (Cd、Pb、Hg、Cr+6、PBDE和PBB)。所有部件和元件均经过严格挑选,符合RoHS要求。此外,我们GIGABYTE一直致力于开发不使用国际上禁止的有毒化学品的产品。

California Proposition 65 Warning

WARNING:

This product contains a chemicals, including lead, known to the State of California to cause cancer and birth defects or other reproductive harm. For more information, please visit: <http://www.p65warnings.ca.gov/>



Battery Warning:

Incorrectly installing a battery or using incompatible battery may increase the risk of ifre explosion. Replace the battery only with the same or equivalent type.

- Do not disassemble, crush, puncture batteries.
- Do not store or place your battery pack next to or in a heat source such as a fire, heatgenerating appliance, can or exhaust vent. Heating battery cells to temperatures above 65oC (149oF) can cause explosion or fire.
- Do not attempt to open or service batteries. Do not dispose of batteries in a fire or with household waste.



电池警告:

电池安装不当或使用不兼容的电池会增加火灾爆炸风险。更换电池时,只可使用相同或同等类型的电池。

- 请勿拆解、挤压、刺破电池。
- 请勿将电池存放或放置在热源中或旁边,如火源、产生热的设备、罐体或排气口。电池温度升至65oC (149oF)以上可能导致爆炸或火灾。
- 请勿尝试打开或维修电池。电池废弃时,请勿投入火中或者作为家庭废弃物进行处理。

中华人民共和国电子信息产品中有毒有害物质或元素的名称及含量标识格式

依照中华人民共和国的有毒有害物质的限制要求(China RoHS)提供以下的表格:



关于符合中国《电子信息产品污染控制管理办法》的声明
Management Methods on Control of Pollution from Electronic Information Products
(China RoHS Declaration)

产品中有毒有害物质或元素的名称及含量
Hazardous Substances Table

部件名称 (Parts)	有毒有害物质或元素 (Hazardous Substances)					
	铅 (Pb)	汞 (Hg)	镉 (Cd)	六价铬 (Cr (VI))	多溴联苯 (PBB)	多溴二苯醚 (PBDE)
PCB板 PCB	○	○	○	○	○	○
结构件及风扇 Mechanical parts and Fan	×	○	○	○	○	○
芯片及其他主动零件 Chip and other Active components	×	○	○	○	○	○
连接器 Connectors	×	○	○	○	○	○
被动电子元件 Passive Components	×	○	○	○	○	○
线材 Cables	○	○	○	○	○	○
焊接金属 Soldering metal	○	○	○	○	○	○
助焊剂、散热膏、标签及其他耗材 Flux, Solder Paste, Label and other Consumable Materials	○	○	○	○	○	○
○:表示该有毒有害物质在该部件所有均质材料中的含量均在SJ/T11363-2006标准规定的限量要求以下。 Indicates that this hazardous substance contained in all homogenous materials of this part is below the limit requirement SJ/T 11363-2006						
×:表示该有毒有害物质至少在该部件的某一均质材料中的含量超出SJ/T11363-2006标准规定的限量要求。 Indicates that this hazardous substance contained in at least one of the homogenous materials of this part is above the limit requirement in SJ/T 11363-2006						
对销售之日的所售产品, 本表显示我公司供应链的电子信息产品可能包含这些物质。注意: 在所售产品中可能会也可能不会含有所有列出的部件。 This table shows where these substances may be found in the supply chain of our electronic information products, as of the date of the sale of the enclosed products. Note that some of the component types listed above may or may not be a part of the enclosed product.						

Ambient Operation

This equipment should not be operated above an ambient operation temperature of 35 degrees centigrade.

Power Supply

CAUTION: The power supplies in your system may produce high voltages and energy hazards, which can cause bodily harms. Unless you are instructed otherwise, only trained service technicians are authorized to remove the covers and access any of the components inside the system.

Reliable Earthing:

CAUTION: Do not connect or disconnect any cables or perform installation, maintenance, or reconfiguration of this server during an electrical storm
CAUTION: Connect all power cords to a properly wired and grounded electrical outlet.

Hazardous FAN

CAUTION: This server contains hazardous moving fan blades, keep fingers and other body parts away.
Disconnect all power supply cords before servicing. Connect power supply cord only after all the covers are properly installed.

FCC Statement

This device complies with Part 15 of the FCC Rules.
Operation is subject to the following two conditions:
(1) This device may not cause harmful interference, and
(2) This device must accept any interference received, including interference that may cause undesired operation.

CAN ICES-3 (A)/NMB-3(A)

Connect With Us

For more information, visit our website at:

<http://b2b.gigabyte.com>

You are a professional?

Get access to our complete source of sales & marketing materials at:

<http://reseller.b2b.gigabyte.com>



<https://www.facebook.com/gigabyteserver>