



Highly Durable 10.4" Industrial Monitors with High Brightness and Multiple Mounting Options

Flexible Installation

To meet the requirements of different industrial installations, the monitors are available in four configurations – desktop, VESA mount, panel mount, and chassis.

High Brightness for Visibility

The maximum brightness of 600 cd/m² (460 cd/m² for the FDX1003T) ensures excellent screen visibility in bright ambient environments. The brightness is adjustable to as low as 0.5 cd/m², making them easy to view in low ambient lighting conditions.

Durable Build

Both monitors can withstand temperatures ranging from 0 - 50°C for high durability in industrial environments. In addition, the cabinets do not contain any ventilation holes and the perimeter of the control buttons are sealed, making them impervious to liquids and dust.



Monitor Top View



Front Panel Buttons

Touch Panel Variation

The FDX1003T is equipped with an analog resistive touch panel that has a minimum touch life of 10 million touches. It accepts touch input from both bare and gloved hands as well as styluses. It is also more resistant to dust and water compared to other touch technologies for increased durability.



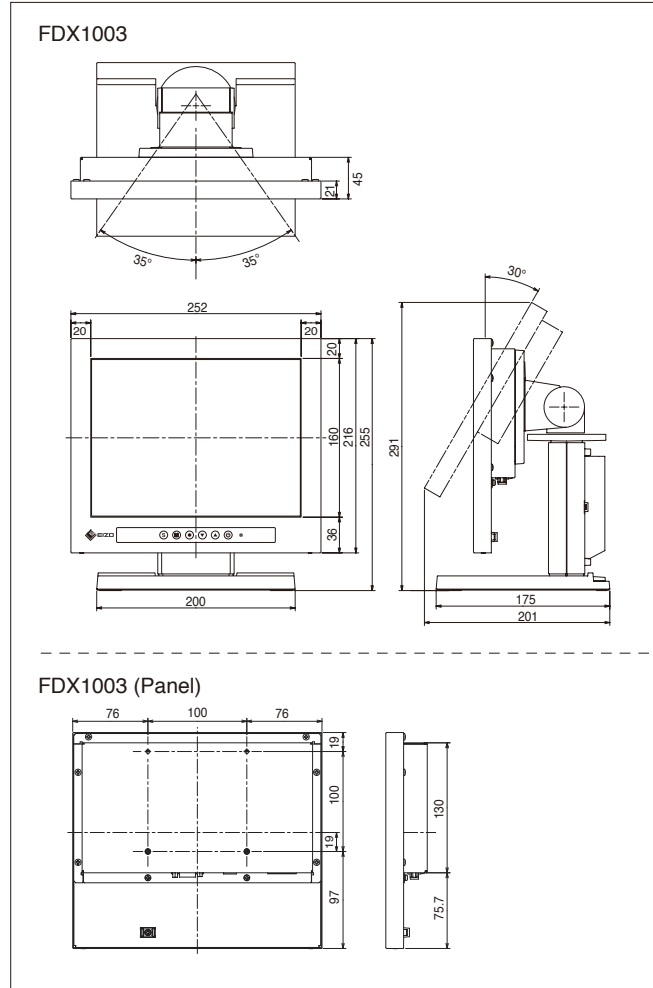
Flexible Positioning

The monitors are built to operate in both standard horizontal positions and non-standard positions such as attached to a mounting device or tilted at an extreme angle. In addition, images can be viewed rotated at 180° using a function accessed via the monitor's front buttons for viewing flexibility.

Additional Features

- D-Sub mini 15 pin analog input
- DVI-D 24 pin digital input
- Key lock support
- 2-year, 24 hour use manufacturer's warranty

■ Dimensions



SPECIFICATIONS

	Without Touch Panel	With Touch Panel
	FDX1003	FDX1003T
Model Variations	With Stand, Without Stand	With Stand, Without Stand
Cabinet Colors	Gray, Black	Gray, Black
Panel	TN	TN
Size	10.4" / 26 cm (263 mm diagonal)	10.4" / 26 cm (263 mm diagonal)
Native Resolution	1024 x 768 (4:3 aspect ratio)	1024 x 768 (4:3 aspect ratio)
Display Size (H x V)	210.4 x 157.8 mm	210.4 x 157.8 mm
Pixel Pitch	0.2055 x 0.2055 mm	0.2055 x 0.2055 mm
Display Colors	16.77 million	16.77 million
Viewing Angles (H / V, typical)	160°, 130°	160°, 130°
Brightness (typical)	600 cd/m ²	460 cd/m ²
Contrast Ratio (typical)	700:1	700:1
Response Time (typical)	16 ms (Black-white-black)	16 ms (Black-white-black)
Input Terminals	DVI-D 24 pin x 1 (with HDCP), D-Sub mini 15 pin x 1	DVI-D 24 pin x 1 (with HDCP), D-Sub mini 15 pin x 1
Digital Scanning Frequency (H / V)	31 - 49 kHz, 59 - 61 Hz (VGA Text: 69 - 71 Hz)	31 - 49 kHz, 59 - 61 Hz (VGA Text: 69 - 71 Hz)
Analog Scanning Frequency (H / V)	24 - 61 kHz, 55 - 76 kHz	24 - 61 kHz, 55 - 76 kHz
Power Requirements	Monitor: DC 12 V AC Adapter: AC 100 - 240 V, 50 / 60 Hz	Monitor: DC 12 V AC Adapter: AC 100 - 240 V, 50 / 60 Hz
Maximum Power Consumption	DC: 9 W AC: 10 W	DC: 9 W AC: 10 W
Standby Mode	DC: Less than 0.5 W AC: Less than 1.0 W	DC: Less than 0.5 W AC: Less than 1.0 W
Power Management	Power Save (VESA DPM and DVI DMPM), ECO Timer	Power Save (VESA DPM and DVI DMPM), ECO Timer
OSD Settings	Screen Adjustment (Clock, Phase, Position, Range (Auto), Smoothing (5 stages), Color Adjustment (Brightness, Temperature, Gain, Saturation, Hue, Reset, Color Mode), Signal Switching, Power Indicator, Product Information (name, serial number, resolution, operating time, etc.), Reverse, Reset	Screen Adjustment (Clock, Phase, Position, Range (Auto), Smoothing (5 stages), Color Adjustment (Brightness, Temperature, Gain, Saturation, Hue, Reset, Color Mode), Signal Switching, Power Indicator, Product Information (name, serial number, resolution, operating time, etc.), Reverse, Reset
Dimensions (Landscape, W x H x D)	252 x 255 x 175 mm	252 x 255 x 175 mm
Dimensions (Without Stand, W x H x D)	252 x 216 x 45 mm	252 x 216 x 45 mm
Net Weight	3.5 kg	3.7 kg
Net Weight (Without Stand)	1.8 kg	2 kg
Tilt	30° Up, 0° Down	30° Up, 0° Down
Swivel	35° Right, 35° Left	35° Right, 35° Left
Certifications & Standard	CB, CE, CTUVus, FCC-B, Canadian ICES-003-B, TUV/S, VCCI-B, CCC, RCM, RoHS, WEEE, China RoHS, J-Moss Green mark Guideline	CB, CE, CTUVus, FCC-B, Canadian ICES-003-B, TUV/S, VCCI-B, CCC, RCM, RoHS, WEEE, China RoHS, J-Moss Green mark Guideline
Supplied Accessories	AC adaptor, Signal cable (D-Sub - D-Sub), setup manual, CD-ROM (PDF user's manual), clamber, screws for mount option (Freemount Only)	AC adaptor, Signal cable (D-Sub - D-Sub), USB cable, setup manual, CD-ROM (PDF user's manual, Touch panel driver), clamber, screws for mount option (Freemount Only)
Warranty	Two Years	Two Years

Touch Panel

Type	-	Analog resistive
Communication Protocol	-	USB 2.0 / RS-232C
Touch Life	-	10 million touches (minimum)
Compatible OS	-	Windows 7 (64bit, 32 bit) / Vista (32-bit) / XP (32-bit)

EIZO Corporation

153 Shimokashiwano, Hakusan, Ishikawa 924-8566 Japan

Phone +81-76-277-6792 Fax +81-76-277-6793

www.eizo.com

All product names are trademarks or registered trademarks of their respective companies.
DuraVision and EIZO are registered trademarks of EIZO Corporation.
Specifications are subject to change without notice.

Copyright © 2014 EIZO Corporation. All rights reserved.